

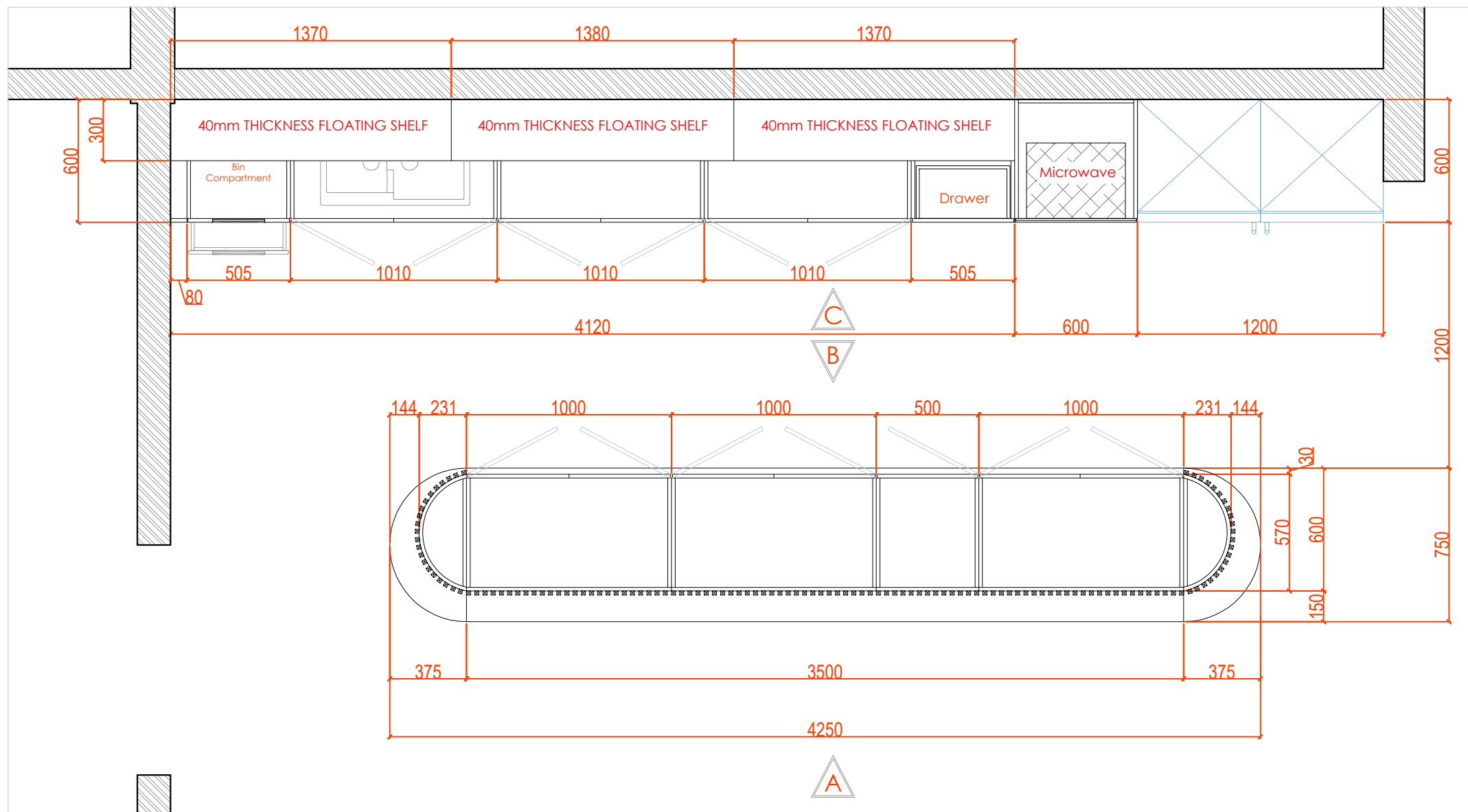
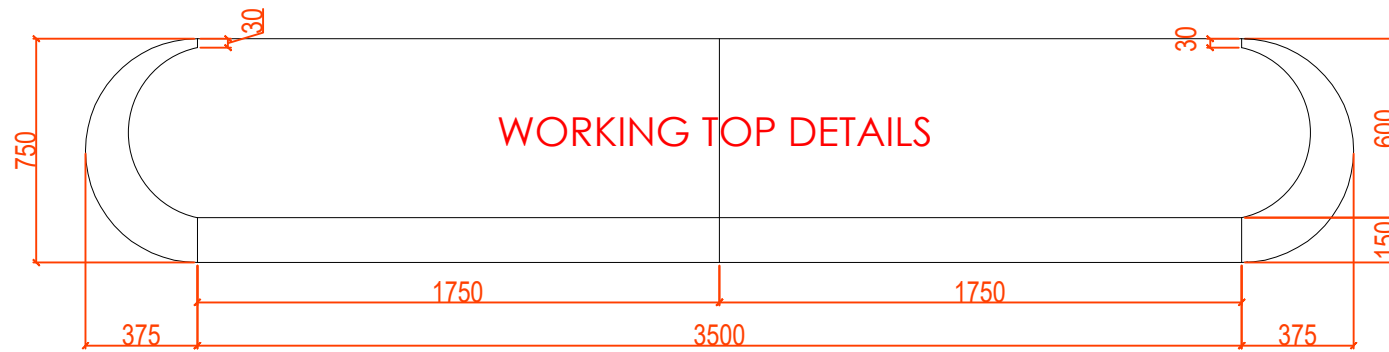
Cafeteria Coffee Bar (Ground Floor) (excluding Appliances)

Base cabinet in timber panel surround on surface with black granite stone worktop, in laminate/Veneer finish (Swiss krono Moor Oak) and stainless steel skirting

Base cabinet with white corian worktop, Tall unit, Wall shelf in laminate finish (Swiss krono Moor Oak) and stainless steel skirting

ITEM 4 and 5 ON THE LIST
QTY 1

Cafeteria Coffee Bar
FINISHING CODE SW287



www.wood-styles.com

Copyright of designs shown herein is retained by this office.
Authority is required for any reproduction.
© Copyright Wood-styles Ltd.

Nigeria, Lagos +234 80 9037 9888
Email: info@wood-styles.com

Project
SHELL CW866175
SHELL PROJECT
EAGLE -ALPHA 1 TOWER

Owner

Date	Description
DSD-V1-ID-16/5/2024	- REV1
DSD-V1-ID-10/6/2024	- REV 2
DSD-V1-ID-26/6/2024	- REV 3

FOR APPROVAL

Project No. : ---
Scale : N/A
Drawn by : OBJ
Checked : OBJ
Cad File : CAD_FILE

Sheet title
Cafeteria Coffee Bar
Floor Plan Details

Dwg No.	No.
WS-DS-SD-SH-005	SHEET 1

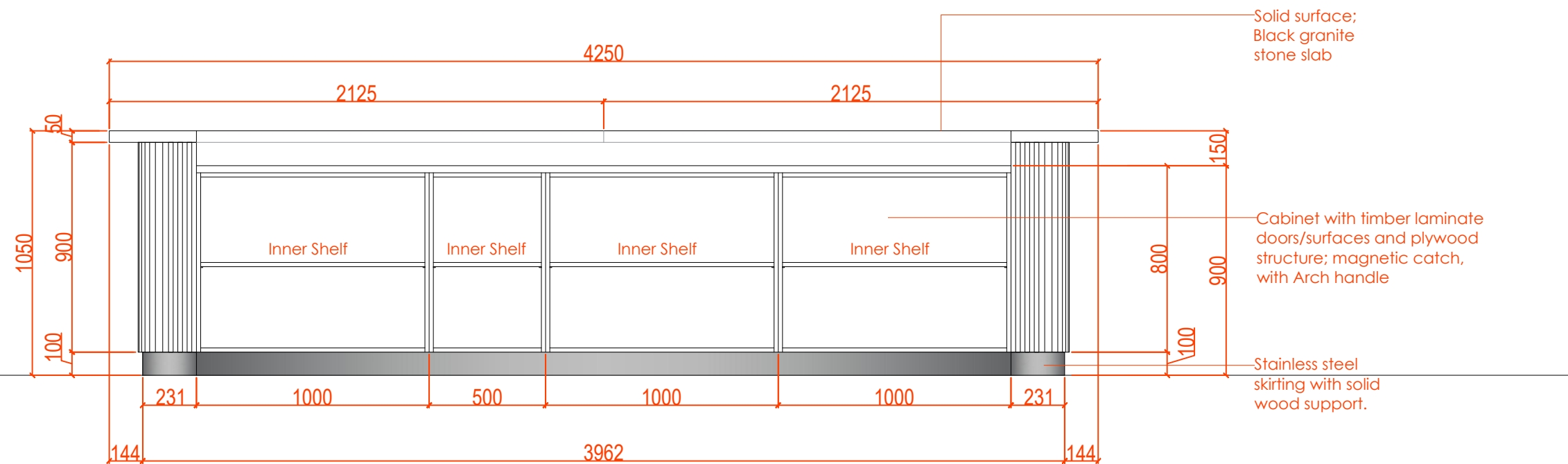
FOR APPROVAL

Project No. : ---
Scale : N/A
Drawn by : OBJ
Checked : OBJ
Cad File : CAD_FILE

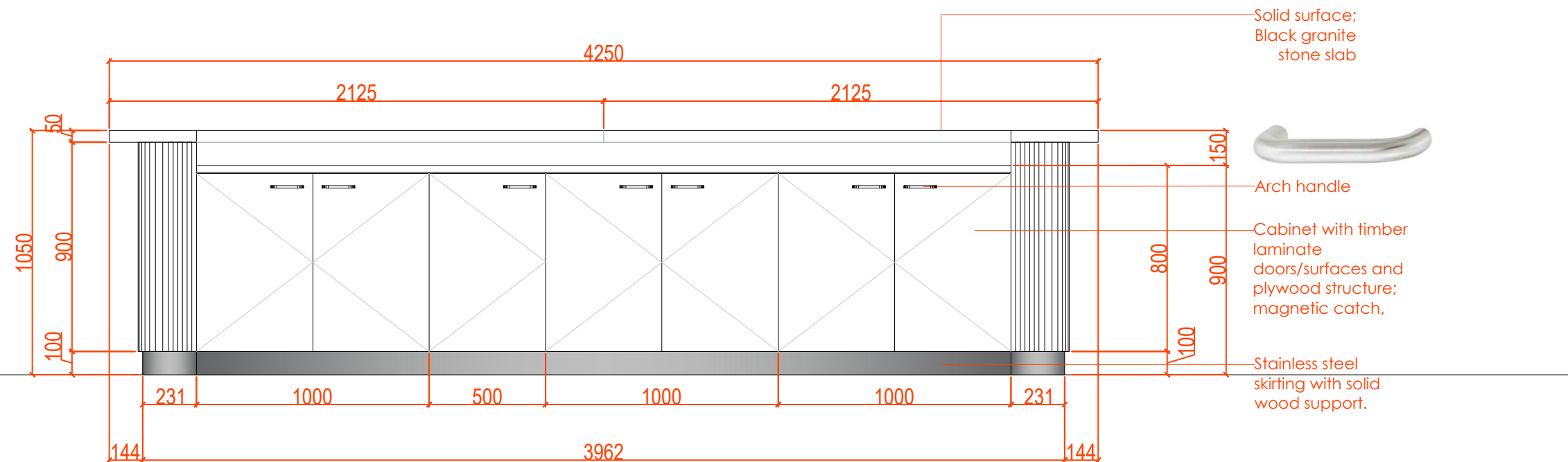
Sheet title
Cafeteria Coffee Bar

Elevation - B

Dwg No.	No.
WS-DS-SD-SH-005	SHEET 3



Cafeteria Coffee Bar
Elevation - B Inner Details
FINISHING CODE SW287



Cafeteria Coffee Bar
Elevation - B with Doors Details
FINISHING CODE SW287

Date	Description
DSD-V1-ID-16/5/2024 - REV1	
DSD-V1-ID-10/6/2024 - REV 2	
DSD-V1-ID-26/6/2024 - REV 3	

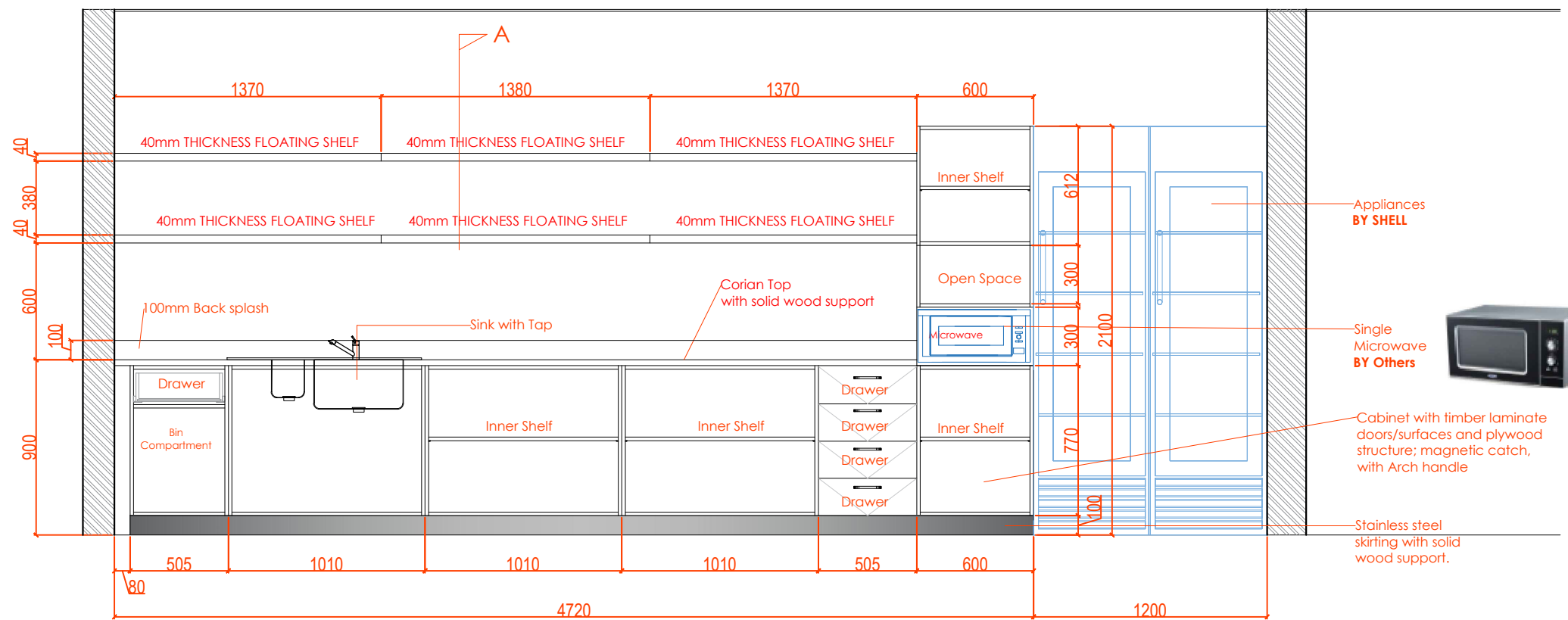
FOR APPROVAL

Project No. : ---
Scale : N/A
Drawn by : OBJ
Checked : OBJ
Cad File : CAD_FILE

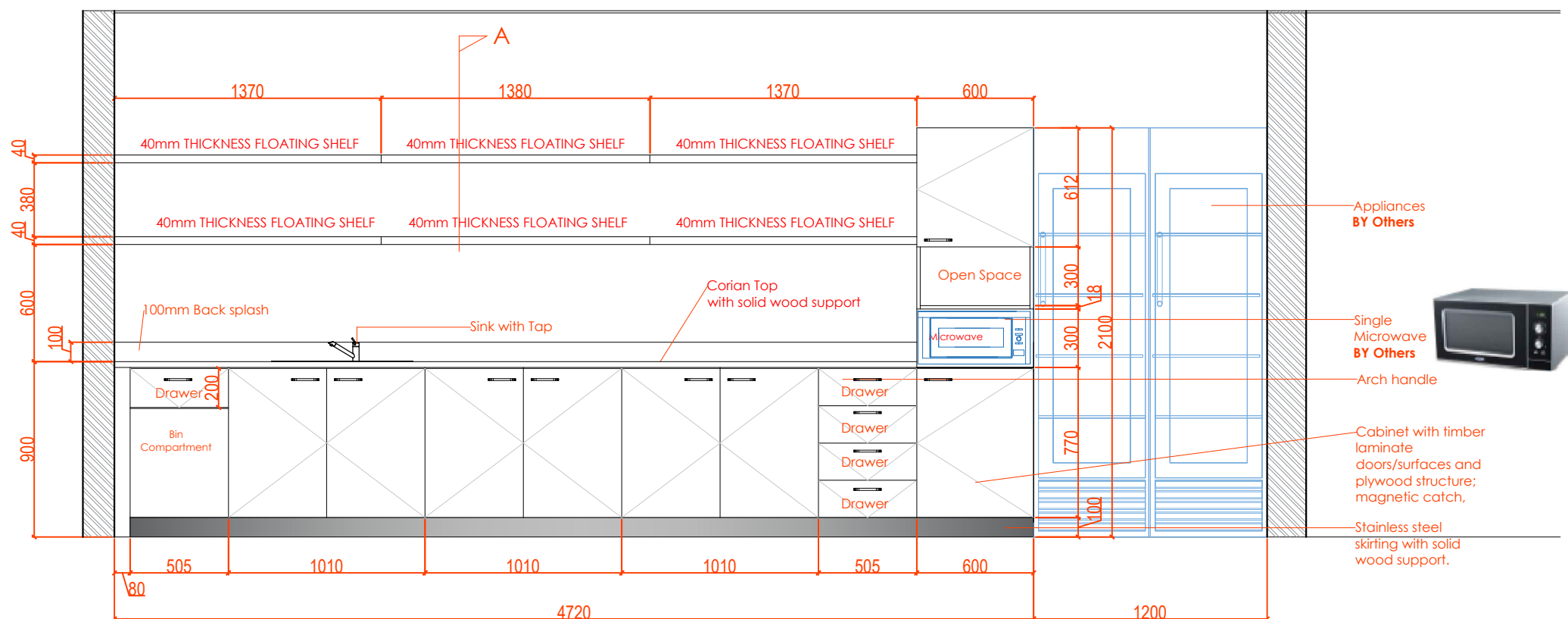
Sheet title
Cafeteria Coffee Bar

Elevation - C

Dwg No.	No.
WS-DS-SD-SH-005	SHEET 4



Cafeteria Coffee Bar
Elevation - C Inner Details
FINISHING CODE SW287



Cafeteria Coffee Bar
Elevation - C with Doors Details
FINISHING CODE SW287

FOR APPROVAL

Project No. : ---
Scale : N/A
Drawn by : OBJ
Checked : OBJ
Cad File : CAD_FILE

Sheet title
Cafeteria Coffee Bar

Sectional Details-A

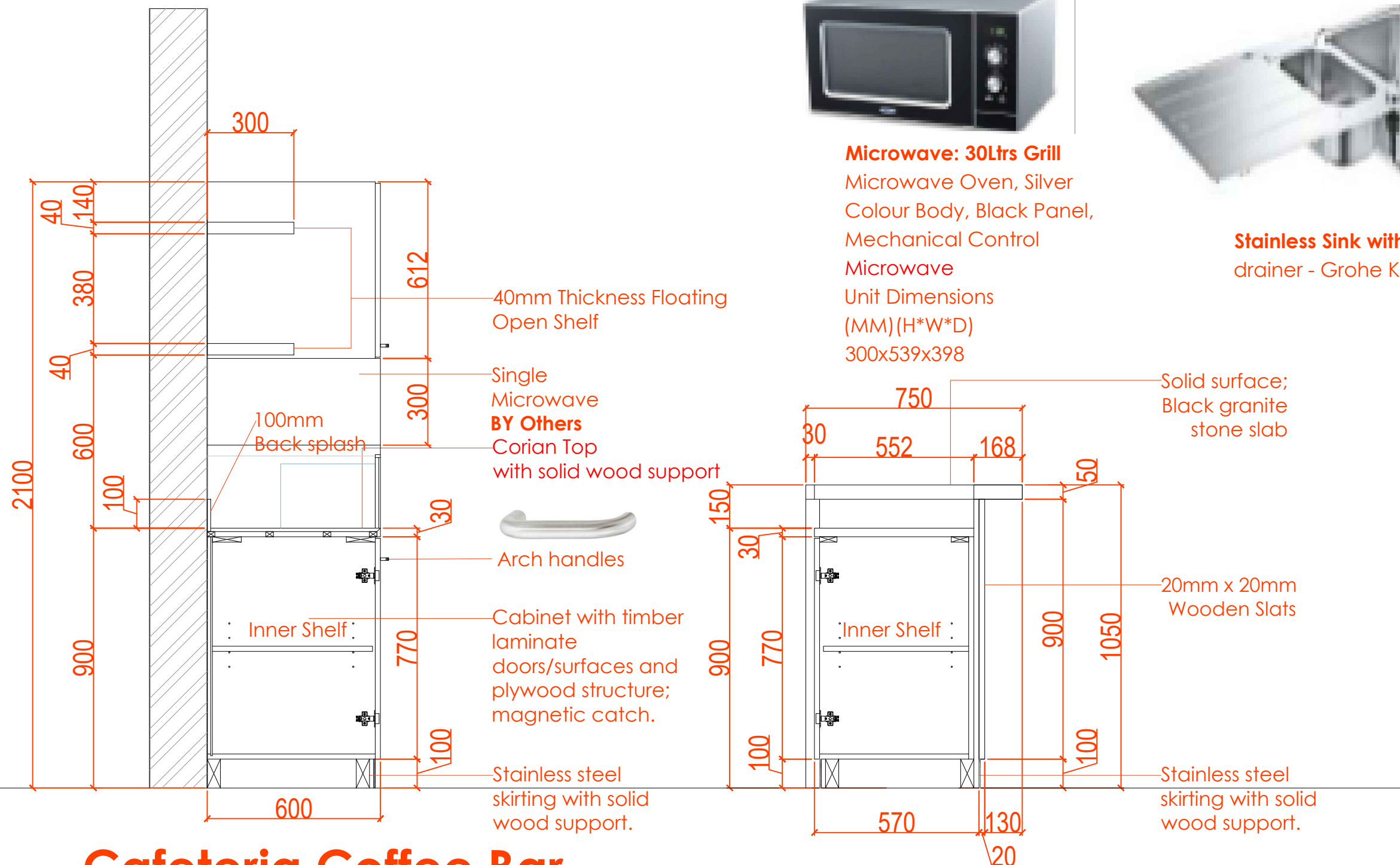
Dwg No.	No.
WS-DS-SD-SH-005	SHEET 2



Microwave: 30Ltrs Grill
Microwave Oven, Silver
Colour Body, Black Panel,
Mechanical Control
Microwave
Unit Dimensions
(MM) (H*W*D)
300x539x398



**Stainless Sink with
drainer - Grohe K500**



Cafeteria Coffee Bar
SECTIONAL Details-A
FINISHING CODE SW287